



ASHOK LEYLAND

Koi Manzil Door Nahin

1920 SERIES GVW 18.5T

**BUILD YOUR
OWN TIPPER**



1920 TU

1920 TN

1920 TM



Best-in-class
fuel efficiency



Lowest
maintenance cost



Higher profitability



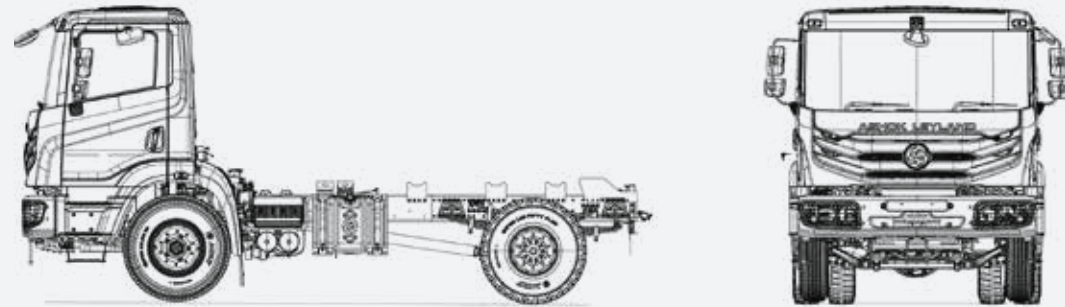
HINDUJA GROUP

SPECIFICATIONS

Engine type	H series BS-VI 6 cylinder with i-Gen6 technology
Engine power	147 kW @ 2400 rpm (200HP)
Engine torque	700Nm @ 1200 - 1900 rpm
Clutch	380mm dia single dry plate, ceramic clutch, air assisted hydraulic booster
Gearbox	6 speed - 2 options FGR 8.91 and FGR 9.01
Rear axle	Fully floating, single speed, hypoid differential 5.83, 6.17 RAR available
Suspension	Front options: semi-elliptic multileaf and parabolic springs Rear: semi-elliptic multileaf, helper springs - parabolic
Gradeability	Options available 42% and 45%
TCD	11.95m and 13.75m
Brake	Full air dual line with ABS with ASA, drum brakes
Diesel tank capacity	220 L
Chassis dimension	275mm x 75mm x 8mm Options available for frame thickness
Max speed	60 kmph
Tyre options	295/90R20 295/95D20 11x20 16PR 11R20 16PR
Cabin options	M Day, U Day and N Day with AC Option
Chassis weights	Front Laden: 7000 kg Rear Laden: 11500 kg

Wheelbase	3100mm	3600mm	3100mm	3600mm	3600mm	3600mm
Body capacity	CAB CHASSIS	CAB CHASSIS	6.5 m ³ Box & Rock	8.5 m ³ Box & Rock	10.5 m ³ Box	12 m ³ Box

SCHEMATIC LAYOUT



IALERT RECON AMC ALCARE LEYPARTS[®] HELPLINE

LEYKART DRIVER TRAINING TECHNICAL TRAINING

ASHOK LEYLAND
Koi Manzil Door Nahin

Registered Office - Ashok Leyland Limited, No. 1, Sardar Patel Road,
Guindy, Chennai - 600032, Tel. - 91 44 2220 6000
E-mail - reachus@ashokleyland.com | Website - www.ashokleyland.com

HELPLINE
1800-266-3340

AUTHORISED DEALER